



PART # 527PLR	LAMP	VOLTAGE	COLOUR
JOB NAME			TYPE

527PLR31, 527PLR46, 527PLR47

Decorative Post Top Retrofit

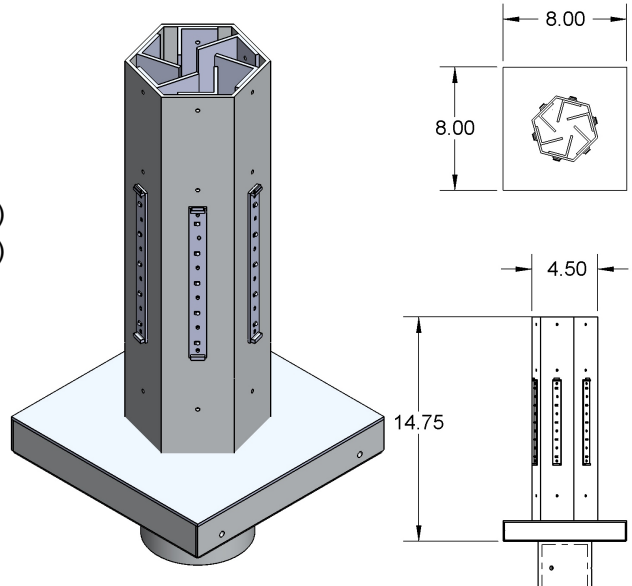
6X5LED35, 8X5LED35, 8X5LED45, 8X5LED70

STANDARD FEATURES

- Aluminum construction
- Premier metal core LED boards
- Engineered aluminum extrusion heat sink with fins
- Ready and wired with remote driver plates
- 527PLR31 is a retrofit for Premier model type BP52731 (Acorn)
- 527PLR46 is a retrofit for Premier model type BP52746 (Decorative)
- 527PLR47 is a retrofit for Premier model type BP52747 (Decorative)
- 120-277 volt electronic driver, 50/60Hz HPF
- 120-277 volt surge protector included

LED FEATURES

- 6 X 5 LED Boards @ 350mA = 38w, 3300lm, 4100k, 85CRI typical
- 8 X 5 LED Boards @ 350mA = 51w, 4360lm, 4100k, 85CRI typical
- 8 X 5 LED Boards @ 450mA = 66w, 5668lm, 4100k, 85CRI typical
- 8 X 5 LED Boards @ 700mA = 93w, 7600lm, 4100k, 85CRI typical



OPTIONS

- 347 volt with use of a step down transformer
- 347 volt surge protector
- Optical lenses with retaining plates
- Multiple optics and optical characteristics available

*Select email PDF button to create a saveable PDF of this form

524PLR-31-46-47 ORDERING INFORMATION

PART #	WATTAGE / SOURCE	VOLTAGE	COLOUR	OPTIONS
<input type="text"/> <input type="checkbox"/> 524PLR31 <input type="checkbox"/> 524PLR46 <input type="checkbox"/> 524PLR47	<input type="text"/> <input type="checkbox"/> 6X5LED35 <input type="checkbox"/> 8X5LED35 <input type="checkbox"/> 8X5LED45 <input type="checkbox"/> 8X5LED70	<input type="text"/> <input type="checkbox"/> 120V <input type="checkbox"/> 277V <input type="checkbox"/> 347V	<input type="text"/> <input type="checkbox"/> BLK (Black) <input type="checkbox"/> WHT (White) <input type="checkbox"/> PREM (Premier Colors) <input type="checkbox"/> TEX BLK <input type="checkbox"/> SIL <input type="checkbox"/> DRK BRN <input type="checkbox"/> MET SIL <input type="checkbox"/> GRY <input type="checkbox"/> IVRY <input type="checkbox"/> CHAR <input type="checkbox"/> STAT BRZ <input type="checkbox"/> CUST (Custom Color) <input type="checkbox"/> CHM (Chrome Plating)	<input type="text"/> <input type="checkbox"/> Surge protector <input type="checkbox"/> Opt lenses w retain. pl. <input type="checkbox"/> Multiple optics avail.

ADDITIONAL NOTES Ordering Example: MA53002 113M 120V BLK

[VIEW TERMS & CONDITIONS](#)