



PREMIER LIGHTING LTD.

Custom Architectural Lighting Design and Manufacture

PART #	LAMP	VOLTAGE	COLOUR	OPTIONS
JOB NAME				TYPE

CL81501, CL81502, CL81503

Surface Rounded Square Cloud

2X5LED35, 4X5LED35, 20LED35, 8X5LED35, 2X20LED35;
1X13M, 1X22EC, 2X13E, 3X13M, 3X42E, 4X13M, 22+32EC, 32+40EC

STANDARD FEATURES

- Opal acrylic lenses
- Listed for wall and ceiling; damp locations
- 120 volt, 60Hz magnetic ballasts

LED FEATURES

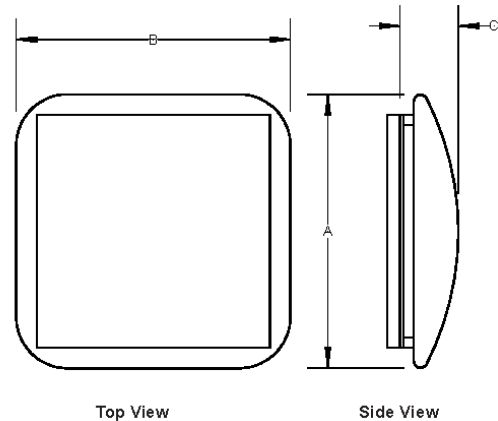
- 2 x 5 LED Boards @ 350mA = 13w, 1090lm, 4100k, 85CRI typical
- 4 x 5 LED Boards @ 350mA = 26w, 2180lm, 4100k, 85CRI typical
- 20 LED Board @ 350mA = 26w, 2180lm, 4100k, 85CRI typical
- 8 x 5 LED Boards @ 350mA = 51w, 4360lm, 4100k, 85CRI typical
- 2 x 20 LED Boards @ 350mA = 51w, 4360lm, 4100k, 85CRI typical

OPTIONS

- Power Smart, Energy Star, Title 24 approvals
- Even-diffusing circline ballasts (EC)
- "Unbreakable" polycarbonate lenses
- 120-277/347 volt electronic ballasts
- Bulbs supplied upon request
- Quick change, twist-in electronic ballasts

COLOURS

- Available in standard WHITE powder coat finish only



Top View

Side View

Dimensions

CL81501: 12 3/8" H x 12 3/8" W x 2 3/4" D

CL81502: 15 1/4" H x 15 1/4" W x 3" D

CL81503: 20 1/8" H x 20 1/8" W x 4 1/4" D

*Select email PDF button to create a saveable PDF of this form

CL81501-2-3 ORDERING INFORMATION

PART #	WATTAGE / SOURCE	VOLTAGE	COLOUR	OPTIONS
<input type="checkbox"/> CL81501	<input type="checkbox"/> 113M (1X13W Magnetic CFL) <input type="checkbox"/> 213E (2X13W Electronic CFL) <input type="checkbox"/> 122EC (1X22W Circline FL) <input type="checkbox"/> 2X5LED35	<input type="checkbox"/> 120V <input type="checkbox"/> 277V <input type="checkbox"/> 347V	<input type="checkbox"/> WHT (White)	<input type="checkbox"/> DIM (Dimmable) <input type="checkbox"/> SP (Surge Protector) <input type="checkbox"/> HPF (High Power Factor)
<input type="checkbox"/> CL81502	<input type="checkbox"/> 313M (3X13W Magnetic CFL) <input type="checkbox"/> 4X5LED35 <input type="checkbox"/> 413M (4X13W Magnetic CFL) <input type="checkbox"/> 20LED35 <input type="checkbox"/> 22+32EC (22 & 32W Circline FL)			
<input type="checkbox"/> CL81503	<input type="checkbox"/> 313M (3X13W Magnetic CFL) <input type="checkbox"/> 32+40EC (32 & 40W Circline FL) <input type="checkbox"/> 342E (3X42W Electronic CFL) <input type="checkbox"/> 8X5LED35 <input type="checkbox"/> 413M (4X13M Electronic CFL) <input type="checkbox"/> 2X20LED35			

ADDITIONAL NOTES Ordering Example: CL81502 413M 120V WHT

[VIEW TERMS & CONDITIONS](#)